

Product updated on October 17, 2018

S03 1U Black Sliding Patch Panel - 24 Position SC/LC/E2000 up to 48 fibers



This innovative, robust 1U sliding patch panel. This panel has been designed to accept up to 48 fibers housed within a 1U space. These panels include an internal mounting plate to install the adaptors giving a reduction in the bend radius of the exiting patch cords also giving a more aesthetically pleasing installation. With the ability to use a full array of adaptor types offering a flexible solution to the end user, enabling them to incorporate a multi-functional panel which allows easy access during installation or re-work with no disturbance of the existing cable or fibers. In the addition to the array of adaptors, the panel also offers multiple cable entry solutions, up to 4 standard cable entry points for, loose tube, tight buffer, pre-terminated and steel tape armored cable. Each panel has integrated strength member tie positions also with the additional removable plate at the rear of the panel allows the installation of steel tape armored cable.

FEATURES/BENEFITS

- Up to 48 fibers in 1U
- Multiple Adaptor options available
- 24 Adaptor positions
- Recessed Adaptor positioning
- Individually labeled ports
- 45° open working angle
- Accepts loose tube, distribution and pre terminated cables
- RoHS, REACH SvHC and UL rated
- Fits standard 19"

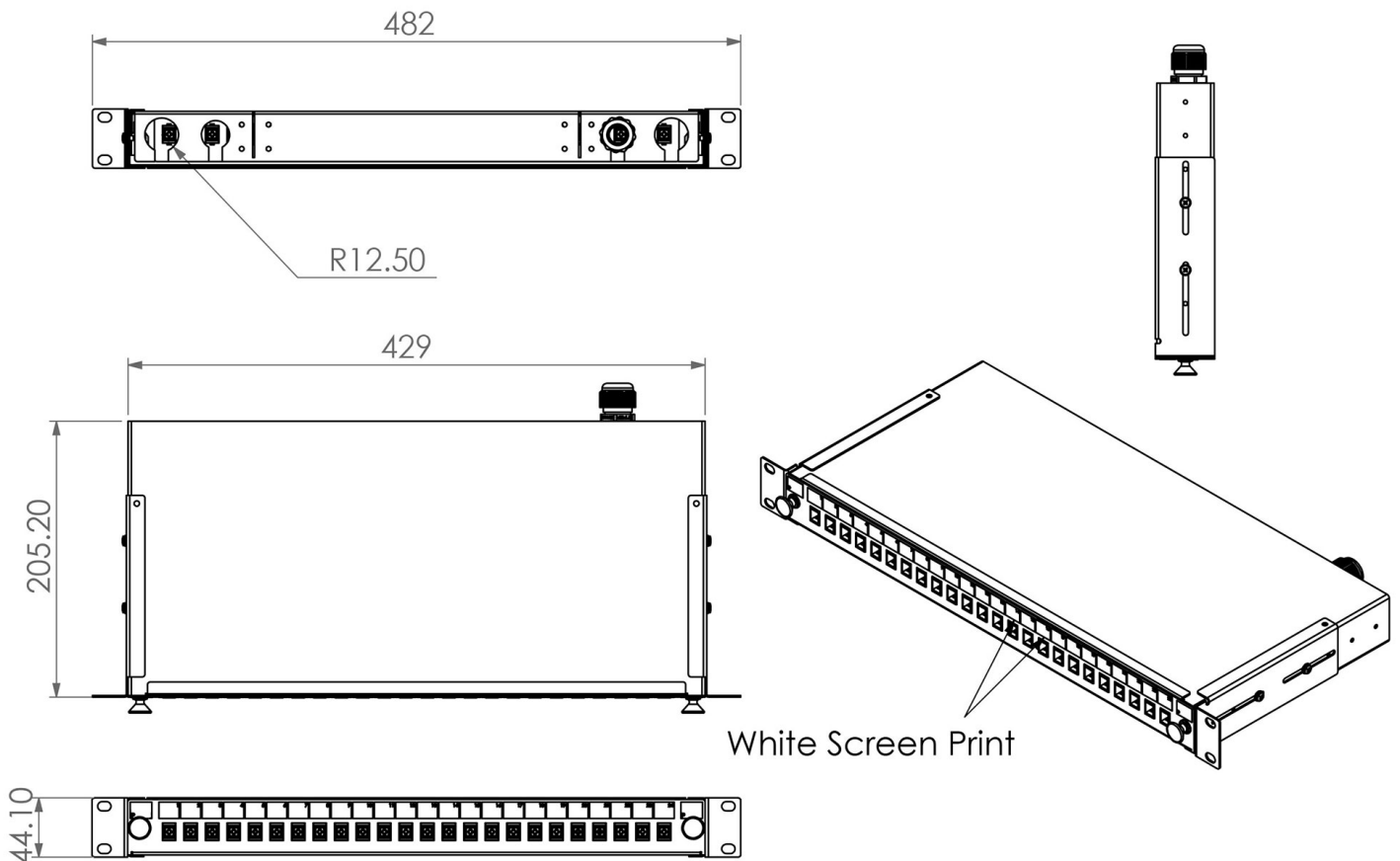
APPLICATIONS

- Data centers, premise installations, telecommunication networks
- Ethernet, Fiber Channel, ATM, LAN, MAN and WAN
- Data communication
- Indoor applications

SPECIFICATIONS

ELEMENT	CHARACTERISTIC
U Size	1U (44.4mm)
Width	482mm
Depth	205mm
Net weight	2.5 kgs
Packaged weight	3 kgs
Packaged dimensions	530mm W X 55mm H x 260mm D
IP rating	IP20
Suitable for Adaptor type	SC Simplex / LC Duplex / E2000
Number of ports	24
Cable Entry 20mm	2
Cable entry 25mm	2
Mounting Adjustment range	50mm
Material	Cold- rolled steel
Material thickness	1.2mm
Material coating	Powder coating
Colour	RAL 9004
Operating temperature	-40°C to +50°C
Designed in accordance with	TIA/EIA 568.C, ISO/IEC 11801, EN50173, IEC60304, IEC61754,
Compliant to	RoHS, Reach/SVHC

TECHNICAL DRAWING



ORDERING INFORMATION

DESCRIPTION	PART NUMBER
1U Black Sliding Patch Panel with SC Simplex Multimode Adaptors	S03SCM24
1U Black Sliding Patch Panel with SC Simplex Single mode Adaptors	S03SCS24
1U Black Sliding Patch Panel with SC APC Simplex Single mode Adaptors	S03SCA24
1U Black Sliding Patch Panel with E2000 Multimode Adaptors	S03E2M24
1U Black Sliding Patch Panel with E2000 Single mode Adaptors	S03E2S24
1U Black Sliding Patch Panel with E2000 APC Single mode Adaptors	S03E2A24
1U Black Sliding Patch Panel with LC Duplex Multimode Beige Adaptors	S03LCM24
1U Black Sliding Patch Panel with LC Duplex Multimode Erika Violet Adaptors	S03LCV24
1U Black Sliding Patch Panel with LC Duplex Single mode Adaptors	S03LCS24
1U Black Sliding Patch Panel with LC APC Duplex Single mode Adaptors	S03LCA24



FURTHER INFORMATION

- For additional information please contact your sales representative
- To view the product 360 visit the product page (Scan the QR code or visit the link below)
- Downloaded from <https://www.aflhyperscale.com/product/s03-1u-sliding-patch-panel>
- AFL Hyperscale reserves the right to make changes in this datasheet at any time without notice
- Information in this document is correct as of October 17, 2018

SCAN QR FOR PRODUCT PAGE

Europe

+44 (0) 1908 441 144
emeasales@aflhyperscale.com
© AFL Hyperscale 2018

Americas

+1 800 790 9932
usasales@aflhyperscale.com

Middle East & Africa

+971 4 404 9606
mesales@aflhyperscale.com

India

+91 80 46874687
indiasales@aflhyperscale.com

Asia Pacific

+86 755 2561 3694
apacsales@aflhyperscale.com